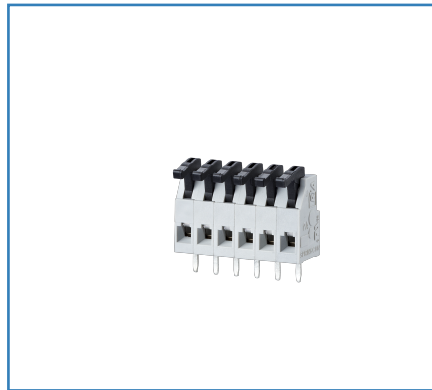


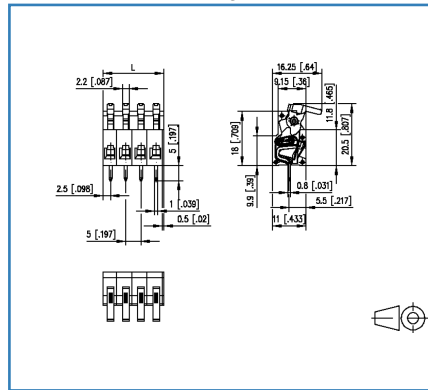
# Data sheet

## ST025xxHDNC AST025

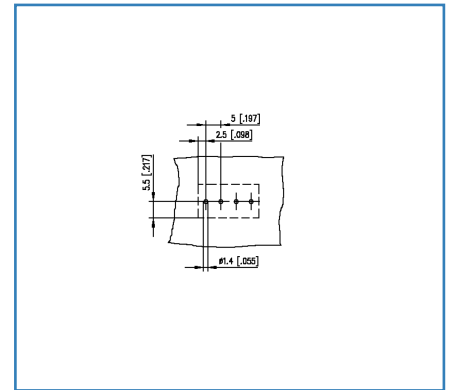
### Illustrations



Dimensional drawing



Drill pattern



See enlarged drawings at the end of document

### Product specification

- spring clamp terminal block, solderable
- centerline 5.00 mm, direction of connection 90°
- fittable without loss of poles
- color gray
- eccentric lever

## Technical Data



### General Data

|                           |         |        |        |
|---------------------------|---------|--------|--------|
| Solder pin length         | 5 mm    |        |        |
| min. number of poles      | 2       |        |        |
| max. number of poles      | 24      |        |        |
| Insulating material class | CTI 400 |        |        |
| clearance/creepage dist.  | 4 mm    |        |        |
| protection category       | IP20    |        |        |
| Min. insul. strip length  | 6 mm    |        |        |
| Overvoltage category      | III     | III    | II     |
| Pollution degree          | 3       | 2      | 2      |
| Rated voltage             | 32 V    | 200 V  | 200 V  |
| Rated test voltage        | 1.5 kV  | 1.5 kV | 1.5 kV |

### Connection Data

|                          |   |  |  |
|--------------------------|---|--|--|
| rat.wiring solid AWGmax  | 0.2 mm <sup>2</sup> - 2 mm <sup>2</sup> / AWG 28 - AWG 14 |  |  |
| rat.wiring strand.AWGmax | 0.2 mm <sup>2</sup> - 2 mm <sup>2</sup> / AWG 28 - AWG 14 |  |  |

### Approvals

|   |                              |  |  |
|---|------------------------------|--|--|
|  V / A / AWG       | 300 / 13 / 28 - 14           |  |  |
| approval UL - File No.  | E121004                      |  |  |
|  1 mm <sup>2</sup> | 250 V / 13.5 A / 13.5A / T60 |  |  |

### Material

|                             |              |
|-----------------------------|--------------|
| insulating material         | PA46         |
| flammability class          | V0           |
| spring material             | Spring steel |
| contact material            | CuZn         |
| contact surface             | Ni + Sn      |
| Glow-Wire Flammability GWFI | -            |
| Glow-Wire Flammability GWIT | -            |
| REACH - substance (SVHC)    | none         |

### Climatic Data

|                         |        |
|-------------------------|--------|
| upper limit temperature | 105 °C |
| lower limit temperature | -40 °C |

### General

|           |              |
|-----------|--------------|
| Tolerance | ISO 2768 -mH |
|-----------|--------------|

**Data sheet**  
**ST025xxHDNC AST025**

Page 3/5

**P/N**  
**AST025xx**  
**xx=number of poles**  
2019/10/30  
Version: Q**Technical Data**

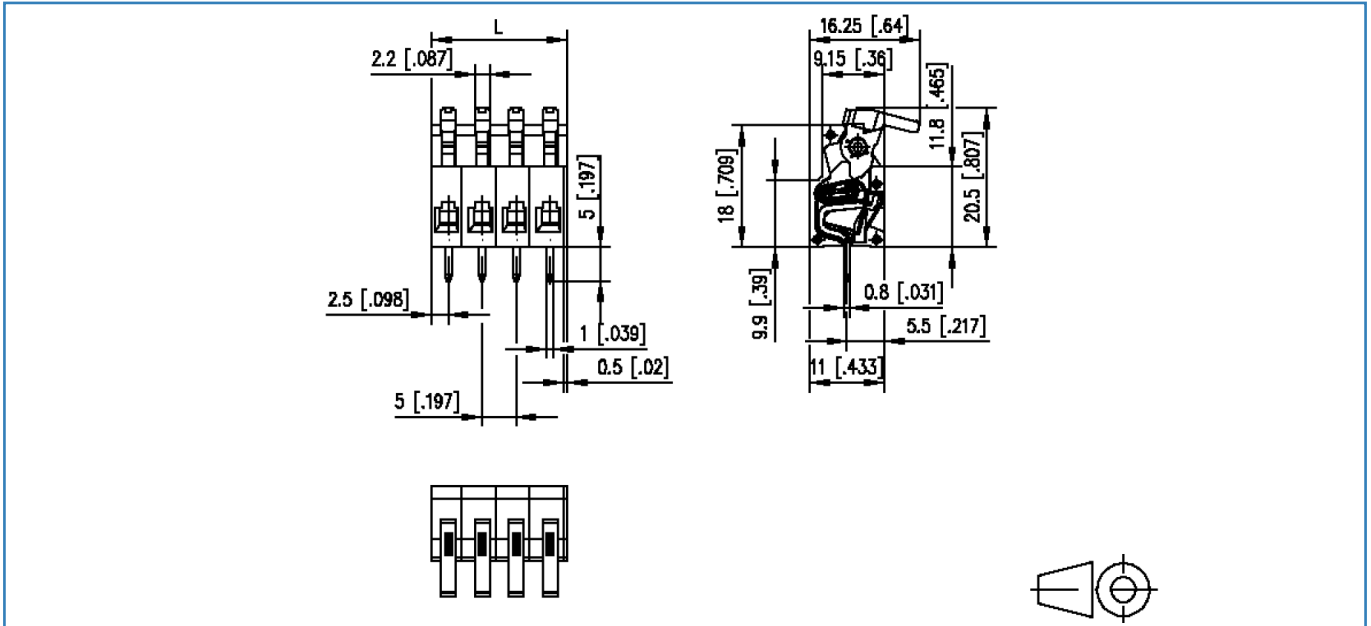
Solderability

Acc. to JEDEC JESD22-B102E 245°C/5s



**Illustrations**

Dimensional drawing

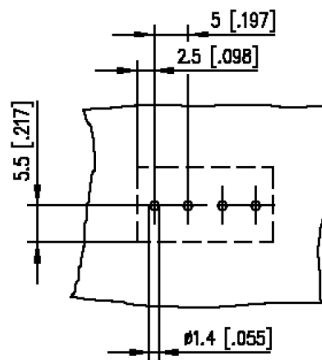


$L = (\text{pole size} - 1) \times \text{centerline} + 5 \text{ mm } [0.197]$

© 2019 METZ CONNECT - Technische Änderungen vorbehalten! Subject to modifications! Sous réserve de modifications techniques!

## Illustrations

### Drill pattern



© 2019 METZ CONNECT - Technische Änderungen vorbehalten! Subject to modifications! Sous réserve de modifications techniques!

